



LINERS

# HIGH CAPACITY ISLAND

<b>Size</b>	34", 40", 46", 52", & 58"
<b>Type / Finish</b>	Island Liner / Stainless Steel

MODELS	DESCRIPTION
CMUIBTF34-NB	Ceiling Mounted High Capacity Liner 34"W x 22 1/2"D x 14"H
CMUIBTF40-NB	Ceiling Mounted High Capacity Liner 40"W x 22 1/2"D x 14"H
CMUIBTF46-NB	Ceiling Mounted High Capacity Liner 46"W x 22 1/2"D x 14"H
CMUIBTF52-NB	Ceiling Mounted High Capacity Liner 52"W x 22 1/2"D x 14"H
CMUIBTF58-NB	Ceiling Mounted High Capacity Liner 58"W x 22 1/2"D x 14"H



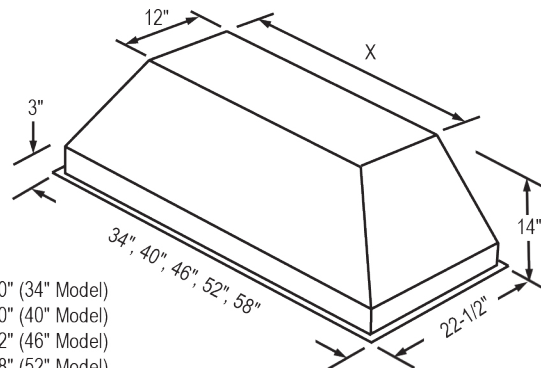
## FEATURES

<b>Controls</b>	Stainless Steel Variable Speed Control Knobs		
<b>Illumination</b>	60W Halogen Lamps with Dimmer Control 34" (2), 40" (2), 46" (3), 52" (3), & 58" (3)		
<b>Installation Type</b>	Ducted - 10" Round (Top Duct Only)		
<b>Blower Options</b>	Inline	600 CFM	8" Round Duct
		1,000 CFM	8" Round Duct
		1,200 CFM	10" Round Duct
		1,600 CFM	10" Round Duct
	Remote	1,000 CFM	8" Round Duct
		1,200 CFM	10" Round Duct
	1,600 CFM	10" Round Duct	
	2,000 CFM	12" Round Duct	
<b>Filter Type</b>	Baffle Filters, Stainless Steel, Dishwasher-Safe		
<b>Electrical</b>	15 amps at 120 volts		



## ACCESSORIES

<b>Transitions</b> (Optional)	TRC10/8 - Transitions 10" Round Duct to 8" Round Duct TRC12/10 - Transitions 12" Round Duct to 10" Round Duct
<b>Wall Switch Kit</b> (Optional)	Stainless Steel Wall Switch Kit Variable Control Knobs



X =  
 20" (34" Model)  
 20" (40" Model)  
 32" (46" Model)  
 38" (52" Model)  
 44" (58" Model)